








Installation Guide for Auto-Out® Microwave with Wall-Mount Brackets

Parts Included (Not Drawn to Scale):

- Auto-Out Microwave (**Left** unit and **Right** unit)
- Wingnuts (4) 
- Adjustable brackets (2) 
- Drywall anchors (4) 
- #8 drywall screws (4) 
- Wall-mount brackets (2) 

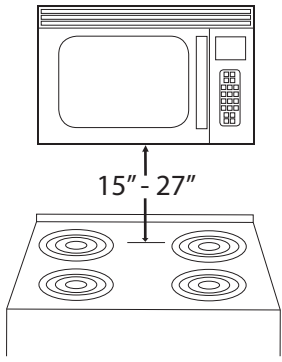
Tools & Supplies Required (Not Included):

- Drill (1.8" drill bit)
- Pencil
- Tape Measure
- Screwdriver (#2 Phillips)

1 Measure clearance:

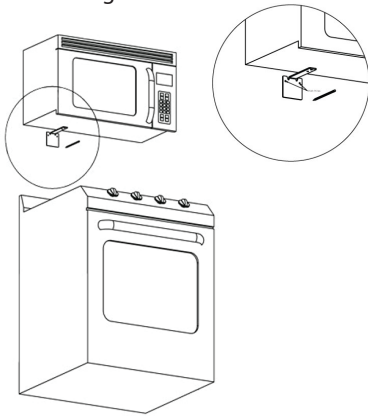
Measure from the cooktop surface to the bottom of the microwave to ensure required clearance of 15-27 inches.

Residential over-the-range microwaves only



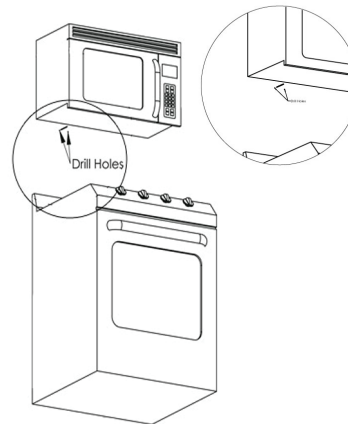
2

You will be attaching the wall-mount brackets to the drywall backsplash under the microwave. Center bracket over middle of left back burner. Use a pencil to mark through the holes where the screws will go.



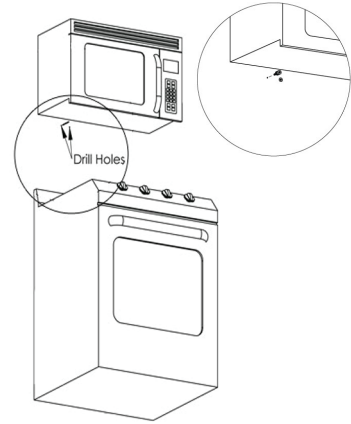
3

Drill 1/8" pilot holes in your pre-marked location on the wall. If you hit a wooden stud behind the drywall, use a #8 x 1.5" wood screw (not included) to complete installation. Proceed to step 4.



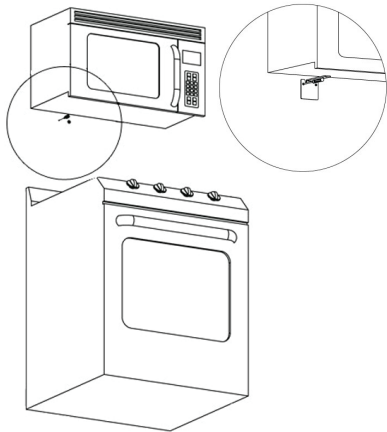
4

Screw in anchors into the pilot holes.



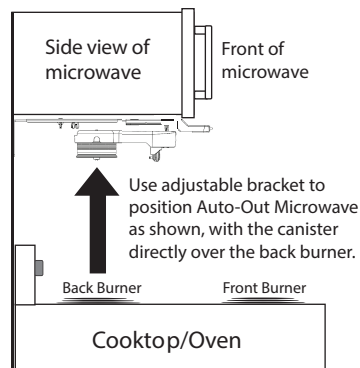
5

Align holes in wall-mount bracket with the installed anchors; insert the screws (provided) and use a screwdriver to tighten and secure wall-mount bracket to the wall.



6

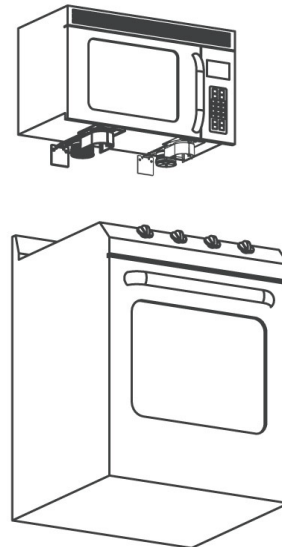
a. Find Auto-Out Microwave marked "L" for left. Insert adjustable bracket, with ridges of bracket facing up, into slat atop Auto-Out Microwave. Press down on pop-up tab to gently snap bracket into place.



b. Lift Auto-Out Microwave unit to meet the wall-mount bracket in back. Fasten the two wingnuts to join the parts together - tighten by hand to secure.

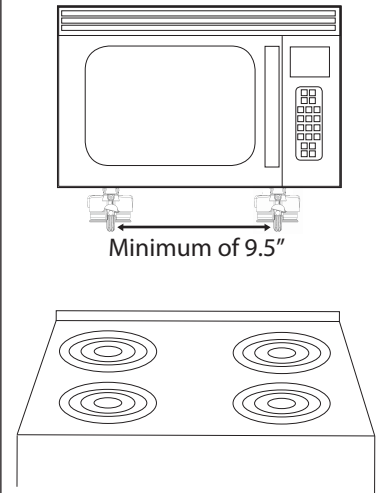
7

Repeat steps for right side of cooktop to complete installation. Confirm canisters are positioned directly over the back burners.



8

Measure to ensure a minimum of 9.5" from center of Left unit to center of Right unit. Installation is now complete. See photo on back for reference.



Auto-Out® Microwave: Designed & Manufactured by Warren Watts Technology in Fort Worth, TX. Patent No. 9,440,101B2

Auto-Out® products, manufactured by Warren Watts Technology, LLC, require proper installation and use to provide effective cooktop fire suppression. Auto-Out Microwave is designed for use in kitchens with residential, over-the-range microwaves. User must have 15" - 27" clearance from cooktop surface to bottom of microwave or cabinet. Each unit must be replaced by the date on the label. Product life is six years. Products are one-time use only. Replace if used or expired. Buyer assumes responsibility for lack of performance or safety if not used according to directions and installation guides provided by manufacturer. If the products are not installed properly, are expired, tampered with or abused in service; the product may not perform properly. Warren Watts Technology does not take any responsibility or liability for damages of any kind, or for warranty claims which are due to improper installation or neglecting to meet the proper conditions of use. Contact us for our full product warranty and liability statement.



817-924-1370
www.Auto-Out.com

Auto-Out[®] Microwave with Wall-Mount Brackets

**Photo of Installed Pair for Reference
(Installation Guide on Back)**

