



817-924-1370
www.Auto-Out.com

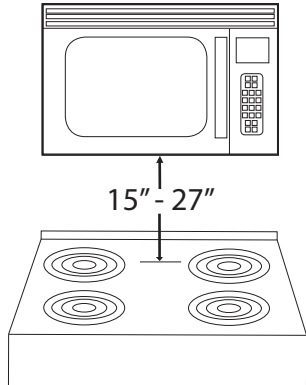
Installation Guide for Auto-Out[®] Microwave with Magnets

Supplies and Tools Required:

- Auto-Out Microwave (AOM) Magnetic: **Left** unit and **Right** unit
- Tape Measure (not included)

1 Measure clearance:

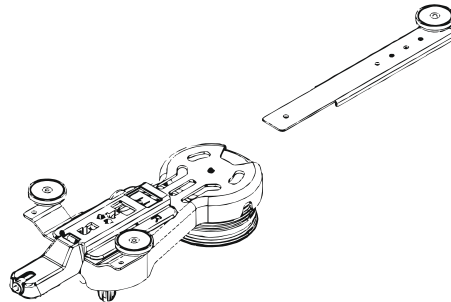
Residential over-the-range microwaves only



Measure from the cooktop surface to the bottom of the microwave to ensure required clearance of 15-27 inches.

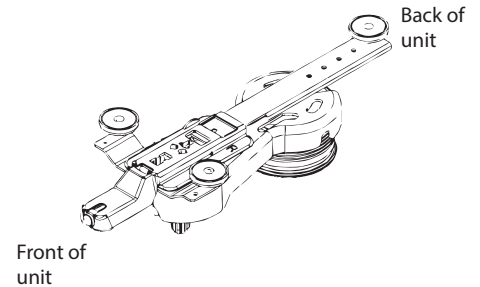
2

Insert bracket into slot atop Auto-Out Microwave for both units. Identify your Left & Right side units. Find the unit marked "R" for Right.



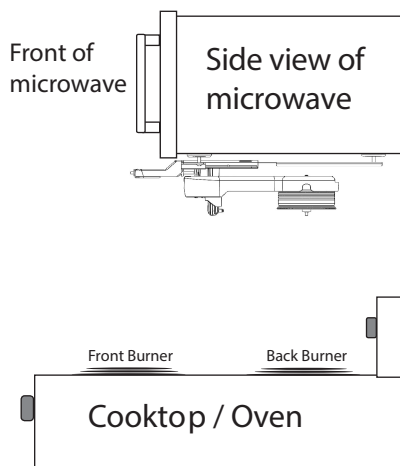
3

To install right-side unit, center unit over front and back burners on the right side of the cooktop. Lift the unit to connect magnets to the underside of microwave.



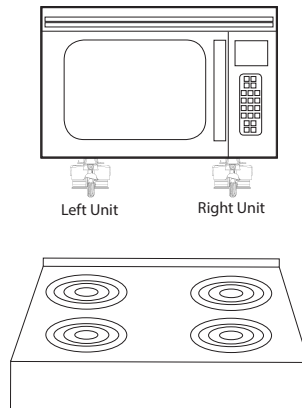
4

Confirm canister is positioned directly over the back burner on the right side of the cooktop.



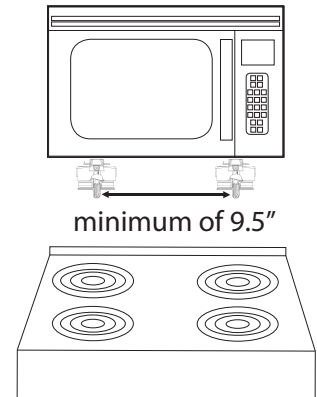
5

Repeat steps 2 & 3 for the left side of cooktop:



6

Measure to ensure you have a minimum of 9.5" from center of Left unit to center of Right unit.



Installation is now complete. Ensure canisters are positioned over the back burners and the front of the unit extends over the front burner on each side.

Auto-Out[®] Microwave: Designed & Manufactured by Warren Watts Technology in Fort Worth, TX. Patent Pending.

Auto-Out[®] products, manufactured by Warren Watts Technology, LLC, require proper installation and use to provide effective cooktop fire suppression. Auto-Out Microwave is designed for use in kitchens with residential over-the-cooktop microwaves. User must have 15" - 27" clearance from cooktop surface to bottom of microwave. Each unit must be replaced by the date on the label (product life is six years). Products are one-time use only. Replace if used or expired. Buyer assumes responsibility for lack of performance or safety if not used according to directions and installation guides provided by manufacturer. If the products are not installed properly, are expired, tampered with or abused in service; the product may not perform properly. Warren Watts Technology does not take any responsibility or liability for damages of any kind, or for warranty claims which are due to improper installation or neglecting to meet the proper conditions of use. Contact us for our full product warranty and liability statement.