



AUTOOUT

817-924-1370

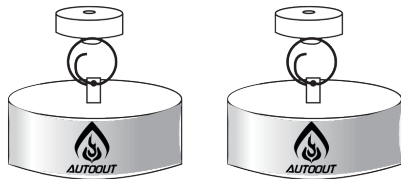
www.Auto-Out.com

Auto-Out® Venthood Installation Instructions

- U.S. Patent No. 9339672. Designed and manufactured by Warren Watts Technology in Fort Worth, TX.
- For kitchens with residential over-the-cooktop range hoods.
- Units do not require inspection or recharging by a fire service professional.
- Each unit must be replaced by the date on the label (product life is six years).
- One-time use only. Replace if used or expired.

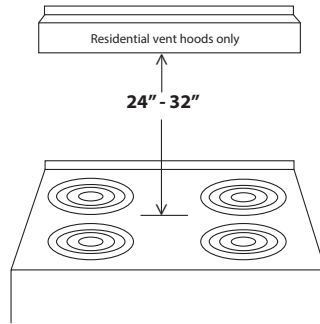
Box contains:

A Main Unit (2)



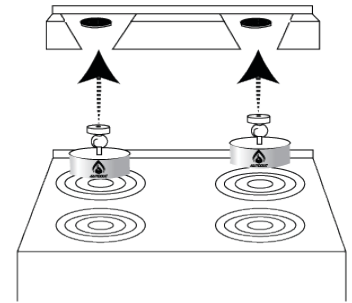
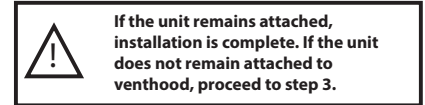
1

Confirm you have 24" - 32" of clearance between the cooktop and bottom of venthood.



2

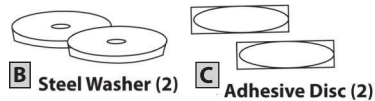
Center canister units on the cooktop between front and back burners. Raise unit by magnet to attach directly above in venthood.



3

If you have a stainless steel venthood, you will need our free adhesive kit in order to fasten Auto-Out to venthood. Please contact us so that we may provide it to you. Upon receiving kit, proceed to step four to complete installation.

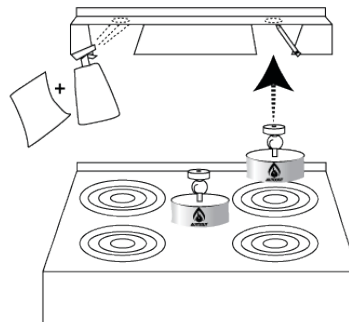
Washer and adhesive kit (not included) required for stainless steel venthoods.



4

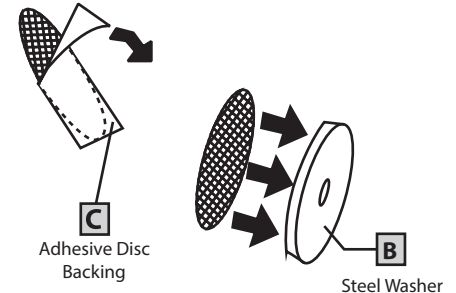
Steps 4 - 7: Required For Stainless Steel (Non-Magnetic) Venthoods Only

Clean and dry area in venthood where magnets will attach. This area should be completely dry and free of grease. Locate and mark these spots.



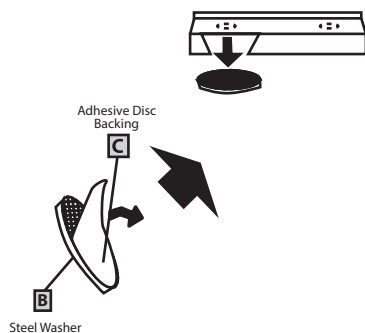
5

Clean and dry one side of washer [C]. Peel the backing from the adhesive disc [D]. Align and press the exposed adhesive side to washer.



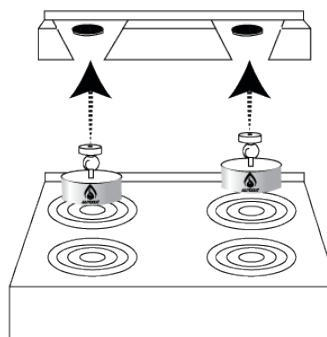
6

Peel backing from other side of adhesive disc on washer. Firmly press exposed adhesive side of washer to spot marked in the venthood.



7

Once washers are firmly attached in venthood, attach magnet directly on washer. Units should now remain attached. Installation is complete.



User must meet the following requirements and must follow all instructions for Auto-Out® Venthood to function properly.

Product Requirements

- Auto-Out® Venthood requires installation height of 24" to 32" above the cooking surface and a metallic surface to attach the magnet.
- Each unit must be replaced by the date on the label. Product life is six years.
- Units do not need inspection or recharging by a fire service professional.

Auto-Out® products, manufactured by Warren Watts Technology, LLC, require proper installation and use to provide effective cooktop fire suppression. Buyer assumes responsibility for lack of performance or safety if not used according to directions and installation guides provided by manufacturer. If the products are not installed properly, are expired, tampered with or abused in service, the product may not perform properly. Warren Watts Technology does not take any responsibility or liability for damages of any kind, or for warranty claims which are due to improper installation or neglecting to meet the proper conditions of use. Replace if used or damaged. Contact us for our full product warranty and liability statement.

How do I dispose of my Auto-Out's once they are expired? Auto-Out does not contain any harmful or toxic chemicals and can simply be disposed of with your regular trash. You are also welcome to package up your expired Auto-Out's and return them to us for disposal.